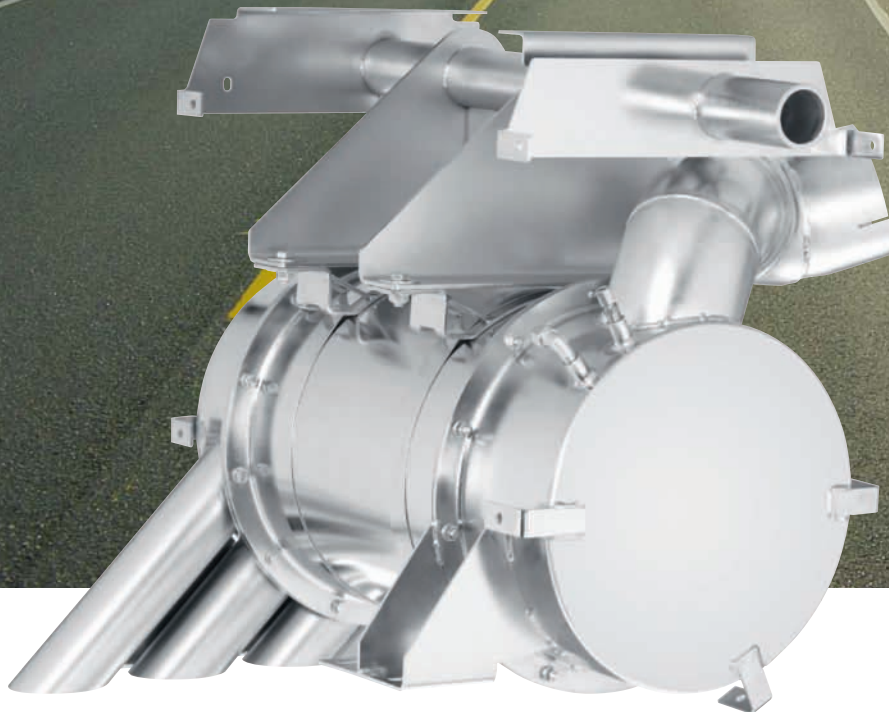


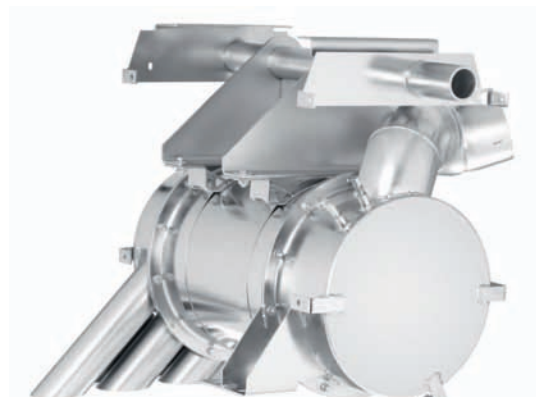
Clean Air for Generations



Diesel Particulate Filters

Trucks





Mercedes-Benz



On-ROAD Systems Trucks

As a specialist in exhaust after-treatment systems **PURltech** is known for innovative, competitive and reliable quality products and is one of the best in the global market. **PURltech GmbH & Co. KG** offers custom made particulate filter systems for almost any vehicle. The retrofit solutions for diesel particulate filters developed by **PURltech** are accurately matched to the technical requirements of the customer vehicles. All **PURltech** filter systems hold a general operating license (ABE). Thanks to our systems, trucks with Euro 1, 2 and 3 still have unlimited access to environmental zones. In Germany lorries with Euro 2 or 3 are classified into the next cheaper road charge category if they make use of **PURltech** systems.

DPFN System

Self-regenerating standard system. This filter system was developed by **PURltech** specifically for on-road applications; it is a unique technological configuration which guarantees an automatic regeneration during vehicle operation. This passive self-regenerating filter system is the ideal filter for vehicles that are operated under medium or full load conditions. For example, lorries in long-distance traffic are usually fitted with DPFN systems.

DPFN+ System

Self-regenerating standard system with preliminary filter. The **PURltech** DPFN+ system is equipped with an additional preliminary filter. Therefore, an automatic regeneration can take place at low exhaust temperatures. The DPFN+ system is mainly used in overland transport or city traffic conditions. DPFN+ systems are the preferred system for vehicles with distribution duties.

DPFN++ System

Self-regenerating standard system with "HC dosing". The DPFN++ system is an active filter system with a preliminary filter and an additional fuel injection system. Injection of diesel fuel into the exhaust stream is automatically controlled to ensure the self-regenerating of the filter system. The active **PURltech** filter systems were developed for vehicles with especially low operation rates. Garbage collection trucks would be a typical example for the use of DPFN++ systems.

PURltech Systems guarantee:

- Due to proper filter selection we have a lower exhaust back pressure and thus significantly longer service interval compared to the competition – this lets us achieve savings of about € 2,000 per cleaning! (example costs: costs for cleaning incl. dispatch: ca. € 350 + removal/ installation costs about € 450 + cancellation costs/ additional vehicle downtime about € 1,200)
- At 200,000 km **PURltech** usually required only one cleaning – conventional diesel particulate filters are up to 3 cleanings (i.e. up to 2 times more than with a **PURltech** filter, i.e. 2 times ca. € 2,000 (€ 4,000) per 200,000 km of additional costs with competitors' systems).
- In cases of inadequate cleaning, increased filter back pressure will occur leading to increased operational costs. Additional costs for 200,000 km mileage (35 ltr./100 km) due to ca. 3 % additional consumption of approx. € 3,700.
- Quick and easy self-installation is possible („plug and play“ systems – 1 to 1 replacement for original silencer)
- Approved worldwide by VERT, TÜV, CARB, LEZ London etc.

Our technology is characterized in particular by:

- **PURltech** is the exclusive retrofit partner of Daimler AG for Mercedes-Benz duty vehicles in Europe. You can rely on the judgment of a leading manufacturer.
- High NO₂ and NO_x reduction even at low exhaust temperatures in urban traffic (stop-and-go)
- Only retrofit system for nitrogen oxide reduction **without** AdBlue / SCR technology
- High soot collection (PM) by more than 99%, additional high reduction of hydrocarbons (HC), carbon monoxide (CO), nitrogen dioxide (NO₂). Therefore, it goes below the EURO-6 emission limits (for PM, HC, CO).
- Proper filter selection (larger filter diameter / cell density therefore lower exhaust back pressure).

For further information please contact:

PURltech GmbH & Co. KG

Badstraße 26, 79761 Waldshut-Tiengen, Deutschland (Germany)

Telephone: +49 (0) 7741 96682-0, Fax: +49 (0) 7741 96682-21, info@puritech.de

www.puritech.de