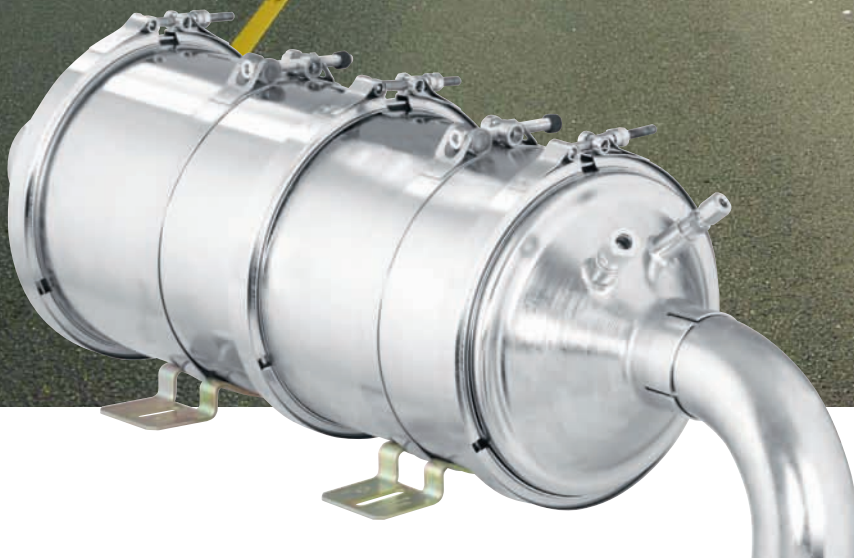


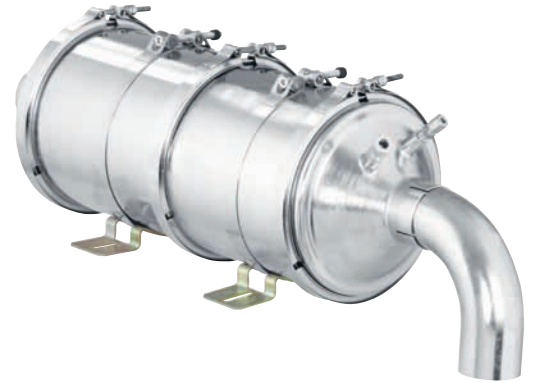
Clean Air for Generations



Diesel Particulate Filters

Light Duty





PURImobil for Vans and Camper Vehicles

The latest Diesel particulate filter innovation from **PURltech**

PURImobil System

Self-regenerating particulate trap with catalytic pre-filter. The PURImobil system from **PURltech** employs a wall-flow honeycomb substrate with a catalytically active coating. Upstream of the filter a coated pre-filter is installed. The system nearly eliminates Diesel particles and reduces NO_x emissions simultaneously. It entitles your EURO 1, 2 or 3 vehicles to upgrade to Euro 4 (PM only) and hence enter any European Low Emission Zone. Due to the unique and patented coating technology accumulated soot is automatically combusted during the normal driving cycle. There is no need for costly fuel additives or heating systems. The exhaust abatement system is low in maintenance. A camper vehicle with an average mileage of 5000 miles per year will need to get the filter serviced after 5 to 10 years only. A simple indicator LED on the dashboard informs the driver about the conditions of the filter system.

For most of the popular vehicles (Mercedes Sprinter, Fiat Ducato, Iveco Daily etc.) **PURltech** offer a bespoke design for ease of installation. It comes with a comprehensive manual and can be mounted by every garage. Simply replace the existing muffler by the filter unit, fit the monitoring system and fix the indicator LED on the dashboard. There is no need for additive tanks, dosing pumps or heating systems with their requirement for heat shielding. The results are reasonable purchase prices and low maintenance cost.

PURltech is a German exhaust aftertreatment specialist with more than 10 years of retrofit and OE experience. Our innovative, reliable and compliant products range among the best in the worldwide market. **PURltech** retrofit solutions are designed to perfectly fit the applications. They comply with most of the European retrofit standards such as Transport for London, Appendix 27 for Germany, RDW approval for The Netherlands etc.

Thanks to the **PURltech** filter system our Camper and Van customers enjoy free access to any European Low Emission Zone.

PURltech is the official partner of Daimler AG and services the Mercedes-Benz dealer network European wide. PURImobil is sold through authorised and trained distribution partners.

The PURImobil system of PURltech guarantees:

- Unlimited access to all European Low Emission Zones
- Low cost solution compared to competitive products
- No increase in fuel consumption
- Long maintenance intervals – even after multiple filter cleanings
- Ease in installation due to bespoke designs
- Passive filter system – no need for heaters or burner system; no costly fuel additive necessary
- Filter housing made of high-grade stainless steel
- Electronic monitoring system featuring real time data-logger and dashboard LED
- Works with standard Diesel fuel (up to 350 ppm Sulfur) and Bio-Diesel

Our Technology:

- is approved worldwide by VERT, TÜV, CARB, TfL, RDW etc.
- reduces toxic NO₂ and even NO_x emission in urban areas
- nearly eliminates Diesel particles (> 99%) and oxidises simultaneously HC and CO
- approved and released by prominent vehicle manufacturers (Mercedes-Benz)

For further informations please contact: